

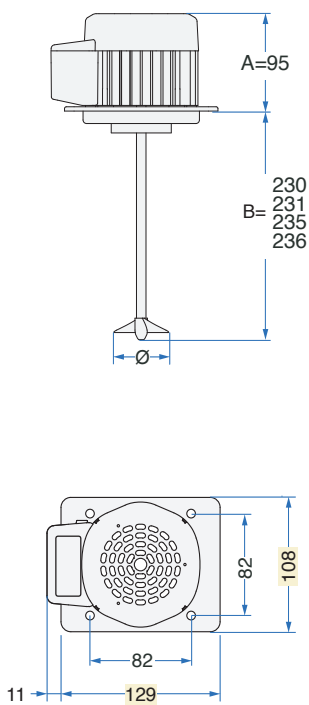
SR-30 series is a **long-life reliable solution** for your needs. Its **robust aluminum design** embeds a **powerful motor** able to carry our **greatest propellers** and satisfy the most demanding performances.



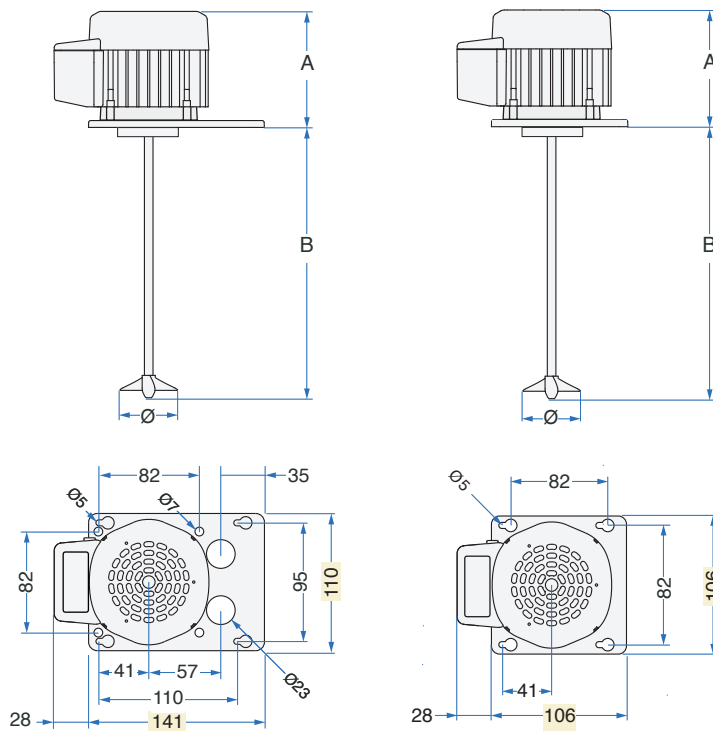
## TECHNICAL SPECIFICATIONS

<b>Category</b>	Classic AGITATOR.
<b>Windings</b>	Single-phase motor. Insulation Class F.
<b>Motor body</b>	Extruded aluminium casing.
<b>Protection</b>	IP 44 ingress protection rating.
<b>Safety</b>	Built-in thermal motor protection system.
<b>Ball bearings</b>	NSK and SKF (long-life) self-lubricant bearings or equivalent, in semi-rigid noise-damping housings.
<b>Motor shaft</b>	AISI 303 INOX steel.
<b>Fastening parts</b>	INOX steel or corrosion-resistant materials.
<b>Motor parts</b>	Thermoplastic motor parts resistant to high temperature.
<b>Cooling system</b>	Air cooled pump with a suction speed of 3,1 m/s.
<b>Operation</b>	Power supply 220-240 Volts - 24 hours a day non stop. Clean non drinkable water only.
<b>Regulations</b>	Complying with EN60335-2-41:2003/A2:2010 and WEEE/RoHs directives.
<b>Note</b>	Read the instruction booklet for correct set up and use.

### COMPACT VERSION



### STANDARD VERSION



TYPE	Volt	Hz	Amp	Watt	RPM	A	B	Propeller Ø [mm]	Weight [Kg]
SR-30	220-240	50	0,24	54	2900	105	225	40x30° 2 Blades	1,6
SR-30	220-240	50	0,25	55	2900	105	221	45x30° 2 Blades	1,6
SR-30	220-240	50	0,25	56	2900	105	220	50x30° 2 Blades	1,6
SR-30	220-240	50	0,32	67	2900	105	221	55x15° 2 Blades	1,6
SR-30	220-240	50	0,32	67	2900	105	225	55x30° 2 Blades	1,6
SR-30	220-240	50	0,43	98	2700	105	225	62x25° 4 Blades	1,6
SR-30	220-240	50	0,44	96	2780	105	226	66x15° 2 Blades	1,6

Rev. 21-02 Performance and electrical data have been tested at 20°C with clean water only. The company reserves the right to modify specifications without prior notice.