

SK-20/ 30

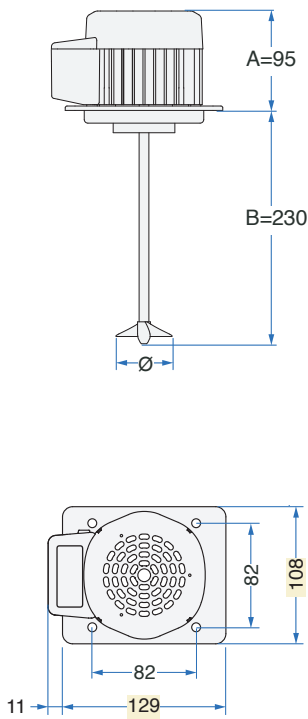


SK series, made with **UL compliant materials**, is a **long-life reliable solution** that supports you reaching worldwide markets. Its **robust aluminum design** and the **wide range of configurations** available makes it the **perfect choice** when **great performances** are required.

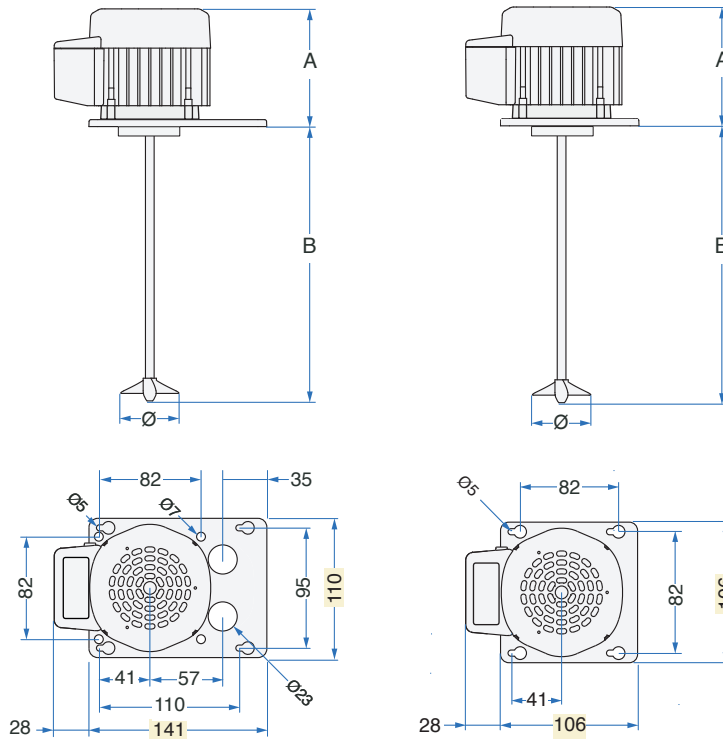
TECHNICAL SPECIFICATIONS

Category	Classic AGITATOR.
Windings	Single-phase motor. Insulation Class F.
Motor body	Extruded aluminium casing.
Protection	IP 44 ingress protection rating.
Safety	Built-in thermal motor protection system.
Ball bearings	NSK and SKF (long-life) self-lubricant bearings or equivalent, in semi-rigid noise-damping housings.
Motor shaft	AISI 303 INOX steel.
Fastening parts	INOX steel or corrosion-resistant materials.
Motor parts	Thermoplastic motor parts resistant to high temperature.
Cooling system	Air cooled pump with a suction speed of 3,1 m/s.
Operation	Power supply 115 or 220 Volts - 24 hours a day non stop. Clean non drinkable water only.
Regulations	Complying with EN60335-2-41:2003/A2:2010 and WEEE/RoHs directives.
Note	Read the instruction booklet for correct set up and use.

COMPACT VERSION SK-30



STANDARD VERSION



TYPE	Volt	Hz	Amp	Watt	RPM	A	B	Propeller Ø [mm]	Weight [Kg]
SK-20	115	60	0,40	41	3500	91	190/220	50x15° 2 Blades	1,3
SK-20	220	50-60	0,17	37	2850-3400	91	190/220	50x15° 2 Blades	1,3
SK-30	115	60	0,56	59	3500	105	236	66x15° 2 Blades	1,7
SK-30	220	60	0,25	59	3500	105	236	66x15° 2 Blades	1,7