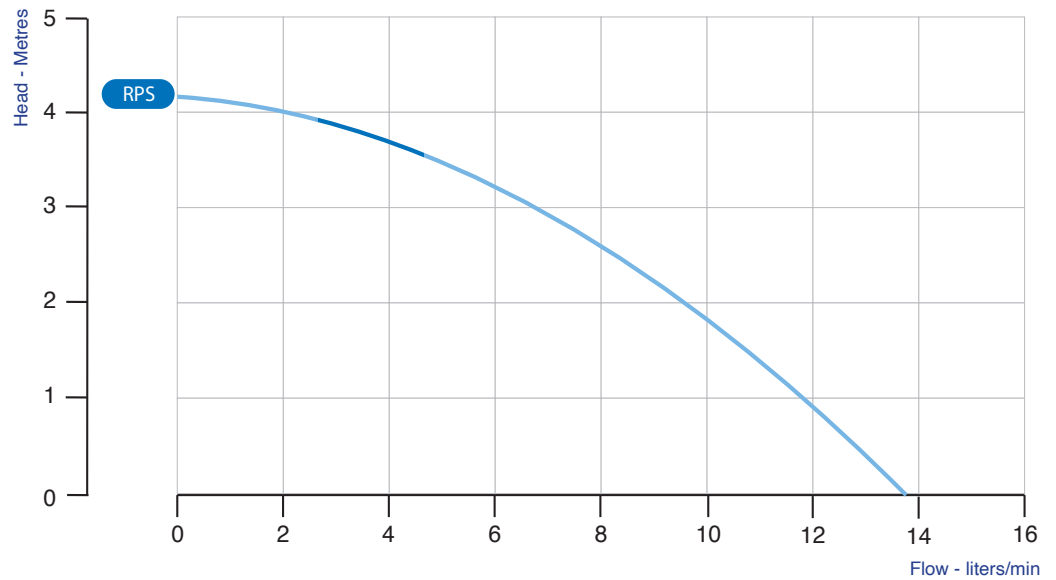


RPS pumps use **single-phase shaded-pole motors**, designed to be **very compact** and dedicated to small machine tools, ceramic and glass processes, and for all those cases in which liquids or coolants must be moved.

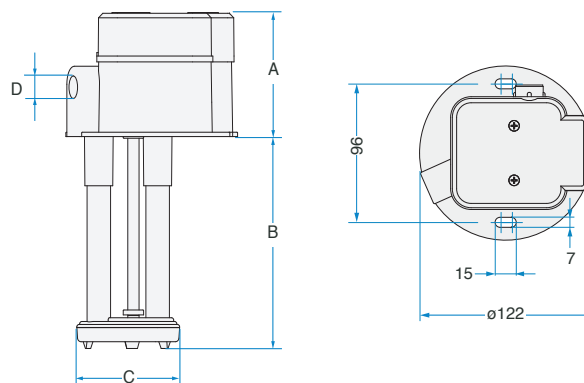


TECHNICAL SPECIFICATIONS

Category	CENTRIFUGAL-PUMP with immersed vertical axis.
Windings	Shaded poles single-phase motor with Class F winding.
Motor body	Motor covered by plastic shell in PA66 30% glass fiber.
Protection	IP 54 ingress protection rating.
Safety	Built-in thermal motor protection system.
Ball bearings	NSK and SKF (long-life) self-lubricant bearings or equivalent, in semi-rigid noise-damping housings.
Motor shaft	AISI 303 stainless steel shaft.
Connections	Motor power cord 1.100 mm long without plug.
Immersion	Motor-driven pump with immersed vertical axis without clamping devices.
Fastening parts	INOX steel or anti-oxidant materials.
Special versions	Motors with voltages and frequencies according to the customer's specific requirements can be supplied.
Note	PATENTED device. Read the instruction booklet for correct set up and use.



ACCESSORIES: Pipe Fitting 3/8" & 1/2"



TYPE	Volt	Hz	Amp	KWatt (IN)	Hp	RPM	A	B	C	D Ø OUT	Weight [Kg]
RPS-20	230/400	50	0,43/0,23	0,06	0,08	2800	82	60/85/120/150	73	3/8"	1,5