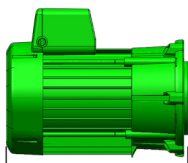


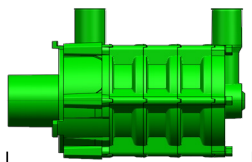
MMP



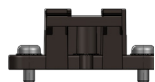
EASY REPLACEMENT OF THE DIFFERENT PUMP'S BLOCK



ENGINE BLOCK



HYDRAULICS BLOCK

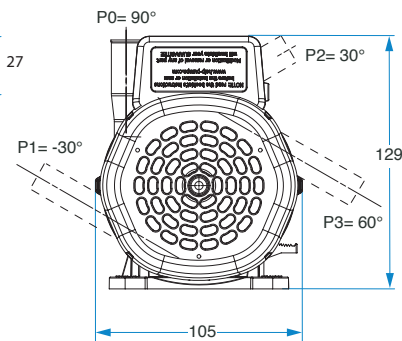
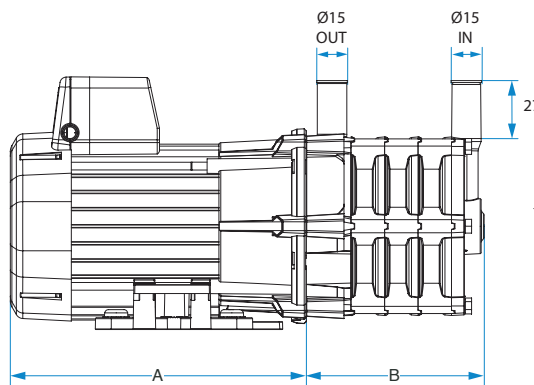
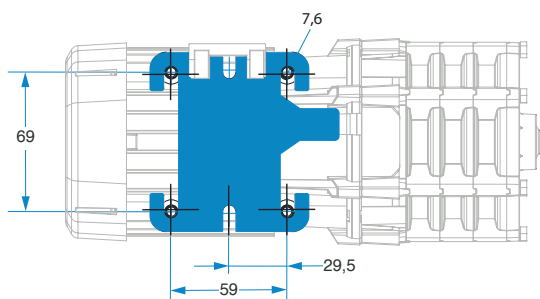
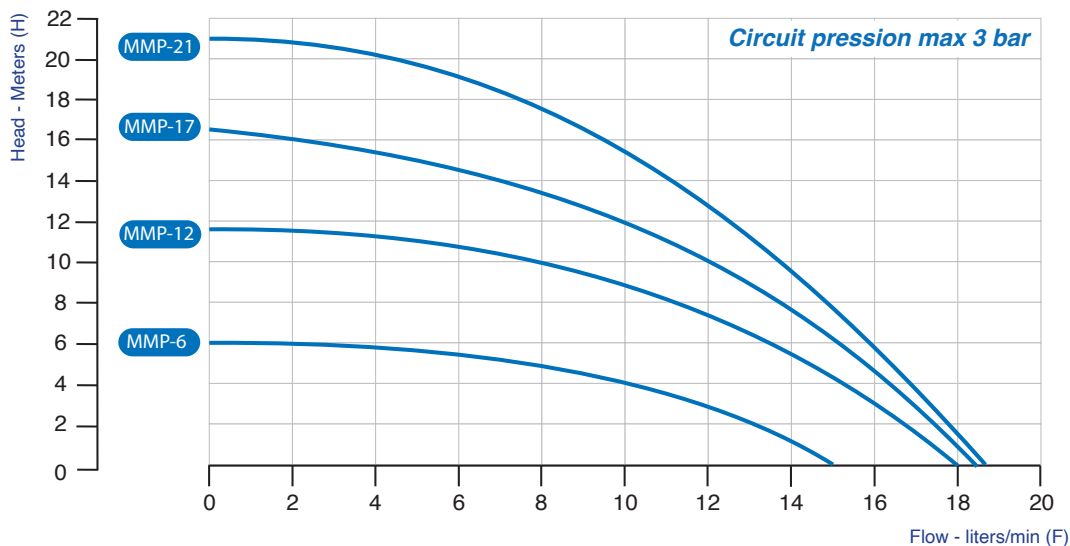


FIXING PLATE

TECHNICAL SPECIFICATIONS



Category	Magnetically coupled centrifugal circulator.
Windings	Single-phase motor. Insulation Class F.
Motor body	Extruded aluminium casing.
Protection	IP 44 ingress protection rating. IP 55 available on demand.
Safety	Built-in thermal motor protection system.
Ball bearings	Ø 8 mm (12 mm optional) NSK /SKF or equivalent, in semi-rigid noise-damping silicone casing.
Motor shaft	AISI 303 INOX steel Ø 8 mm.
Fastening parts	INOX steel or corrosion-resistant materials.
Motor parts	Thermoplastic motor parts resistant to high temperature.
Cooling system	Air cooled pump with a suction speed of 3,1 m/s.
Water connection	Preset swiveling/adjustable discharge outlet, with John Guest fittings.
Operation	Power supply 220-240 Volts - 24 hours a day non stop. Clean non drinkable water only max 60° C.
Regulations	Complying with EN60335-2-41:2003/A2:2010 and WEEE/RoHs directives.
Note	PATENT pending. Read the instruction booklet for correct set up and use. All models in the range are designed for use with pure water. They are NOT self priming and DO NOT run dry. Solids will cause jamming. Abrasive will reduce pumps life and invalidate the warranty.



TYPE	Ph	Volt	Hz	Amp	Watt (in)	RPM	A	B	H max	F max	Weight [Kg]
MMP-6	1	230	50	0,3	58	2900	136	40	6	15	2,0
MMP-12	1	230	50	0,5	110	2900	151	57	12	18	2,7
MMP-17	1	230	50	0,7	150	2800	151	74	17	18,5	2,8
MMP-21	1	230	50	1,0	200	2800	171	91	21	18,5	3,3