

MID series offers an agitator pump solution that gives you the possibility to satisfy low budget requirements and reach worldwide markets.

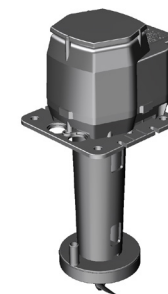


MID

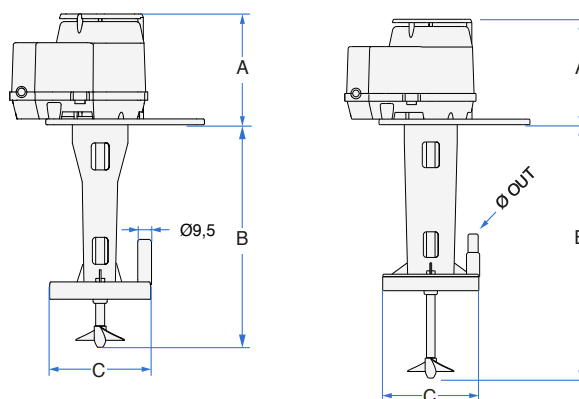
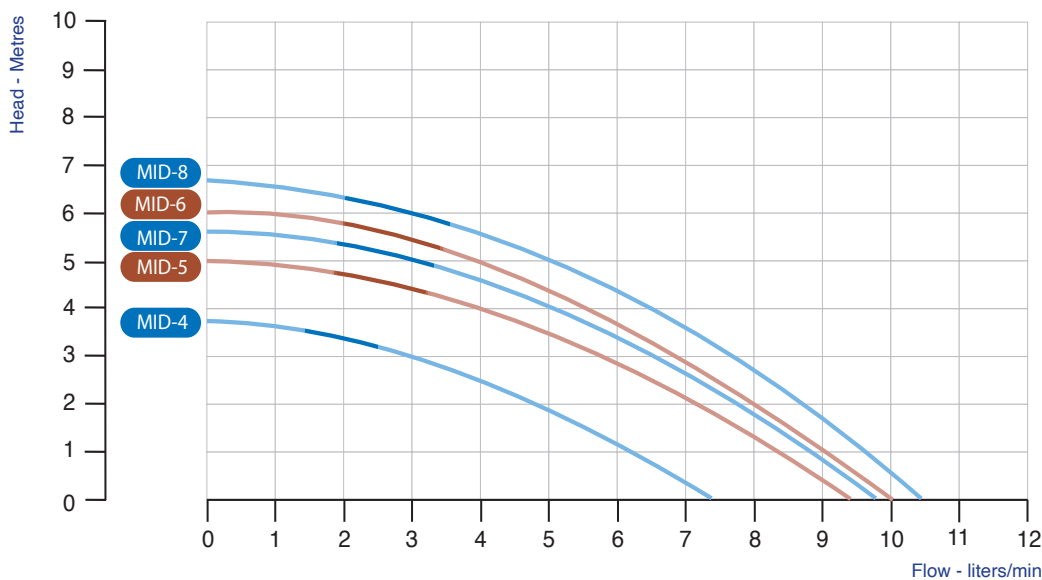
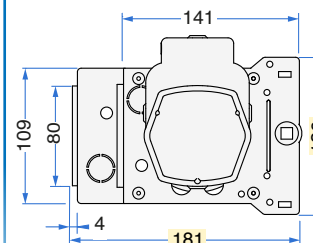
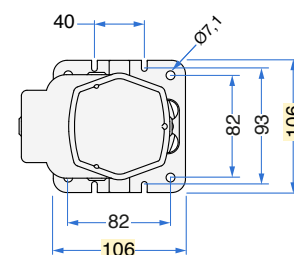
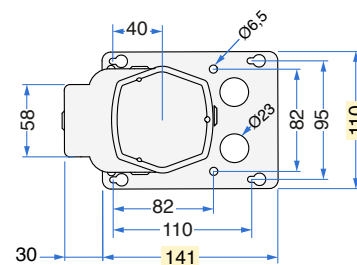
TECHNICAL SPECIFICATIONS



- Category** AGITATOR-PUMP with immersed vertical axis.
- Windings** Single-phase motor. Insulation Class F.
- Motor body** PA66 30% glass fiber plastic shell motor housing.
- Protection** IP 31 ingress protection rating.
- Safety** Built-in thermal motor protection system.
- Ball bearings** Ø 8 mm NSK, SKF or equivalent, in semi-rigid noise-damping silicone casing.
- Motor shaft** AISI 303 INOX steel Ø 8 mm.
- Fastening parts** INOX steel or corrosion-resistant materials.
- Motor parts** Thermoplastic motor parts resistant to high temperature.
- Cooling system** Air cooled pump with a suction speed of 1,6 m/s.
- Water connection** Compatible with John Guest fittings.
- Operation** Power supply 115 or 220-240 Volts - 24 hours a day non stop. Clean non drinkable water only.
- Regulations** Complying with EN60335-2-41:2003/A2:2010 and WEEE/RoHs directives.
- Note** Italian **PATENTED** component. Read the instruction booklet for correct set up and use.



AVAILABLE FIXING PLATES



TYPE	Volt	Hz	Amp	Watt (IN)	RPM	A	B	C	Ø OUT	Propeller Ø [mm]	Weight [Kg]
MID-4	220-240	50	0,57	57	2800	96	153	64	9,5	50x15° 2 Blades	1,7
MID-7	220-240	50	0,60	64	2750	96	187	78	9,5	50x15° 2 Blades	1,8
MID-7c	220-240	50	0,60	64	2750	96	153	78	9,5	50x15° 2 Blades	1,7
MID-8	220-240	50	0,60	68	2700	96	220	90	9,5/12,3	50x15° 2 Blades	1,8
MID-5	115	60	1,25	66	3400	96	185	64	9,5	45x15° 2 Blades	1,7
MID-5	220	60	0,56	66	3400	96	185	64	9,5	45x15° 2 Blades	1,7
MID-6	115	60	1,40	70	3400	96	185	78	9,5/12,3	45x15° 2 Blades	1,8

Rev. 21-02 Performance and electrical data have been tested at 20°C with clean water only. The company reserves the right to modify specifications without prior notice.  
 © SABER SRL 2024 - ALL RIGHTS RESERVED - REGISTERED DESIGN - [www.saberpumps.com](http://www.saberpumps.com)