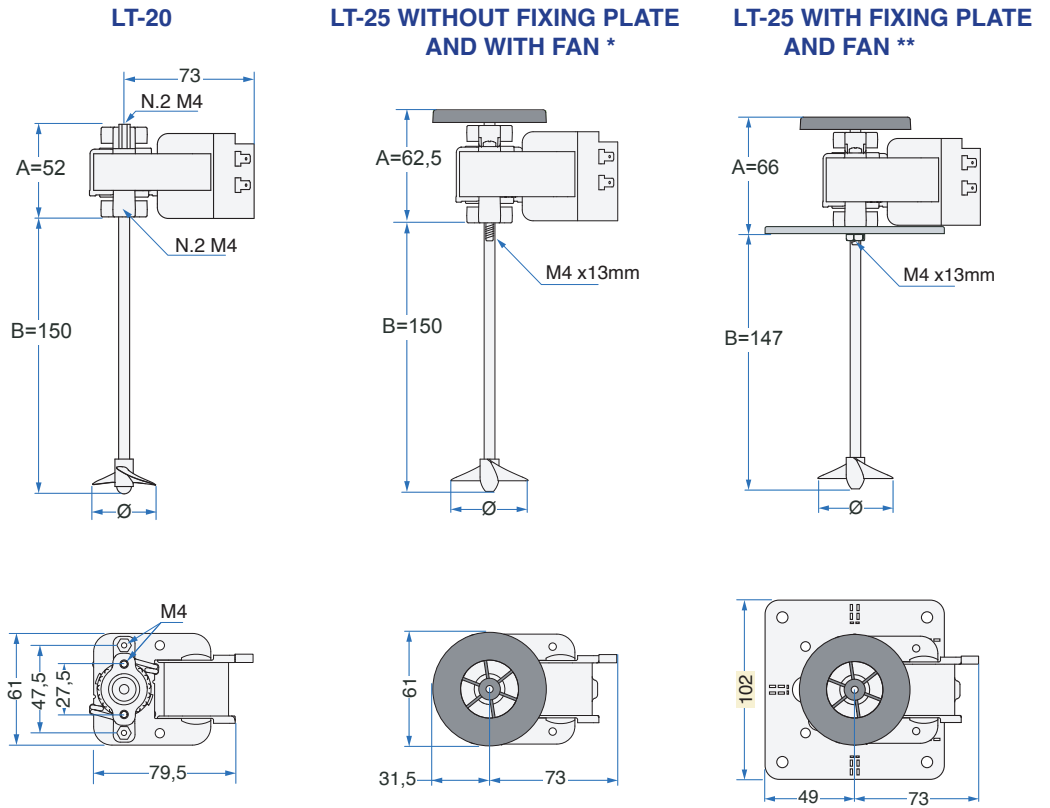




LT agitator series offers you a **convenient solution** while granting **very compact measurements** suitable for **small dispensing installations**. A **choice of propellers** is available to best meet your agitation requirements.

TECHNICAL SPECIFICATIONS

Category	Naked AGITATOR.
Windings	Single-phase motor. Insulation Class F.
Motor body	Shaded poles motor.
Protection	IP 00 ingress protection rating.
Safety	Built-in thermal motor protection system.
Ball bearings	NSK and SKF (long-life) self-lubricant bearings or equivalent, in semi-rigid noise-damping housings.
Motor shaft	AISI 303 INOX steel.
Fastening parts	INOX steel or corrosion-resistant materials.
Motor parts	N.A.
Cooling system	Air cooled pump with a suction speed of 3,1 m/s.
Operation	Power supply 230 Volts - 24 hours a day non stop. Clean non drinkable water only.
Regulations	Check machine's requirements.
Note	Secure the motor at a min. distance from the water of 20 mm. Read the instruction booklet for correct set up and use.



FIXING

LT-20: the agitator can be fixed using the interaxis 27,5 mm or 47,5 mm using 2 M4screws.

LT-25: the agitator can be fixed using the interaxis 27,5 mm or 47,5 mm using 2 M4screws.

On demand: the agitator can be supplied with 102x102 mm fixing plate - interaxis 82x82 mm.

TYPE	Volt	Hz	Amp	Watt	RPM	A	B	Propeller Ø [mm]	Weight [Kg]
LT-20	230	50-60	0,17	20	2400	52	150	40x15° 2 Blades	0,75
LT-20	230	50-60	0,17	20	2400	52	150	45x15° 2 Blades	0,75
LT-25 *	230	50-60	0,22	27	2500	62,5	150	40x15° 2 Blades	1,03
LT-25 *	230	50-60	0,22	27	2500	62,5	150	45x15° 2 Blades	1,03
LT-25 **	230	50-60	0,22	27	2500	66	147	40x15° 2 Blades	1,03
LT-25 **	230	50-60	0,22	27	2500	66	147	45x15° 2 Blades	1,03